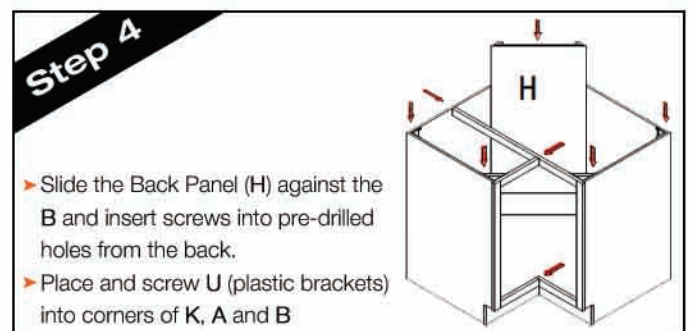
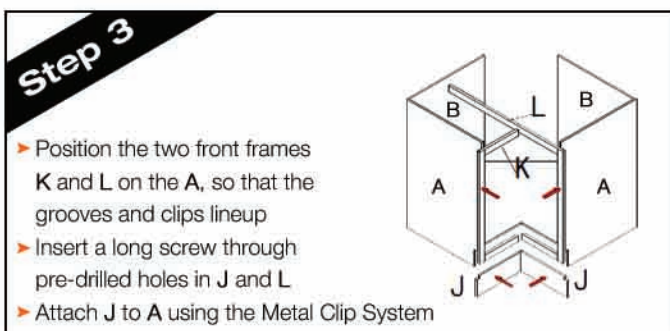
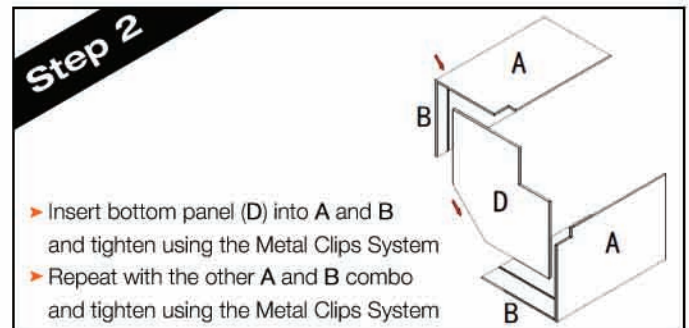
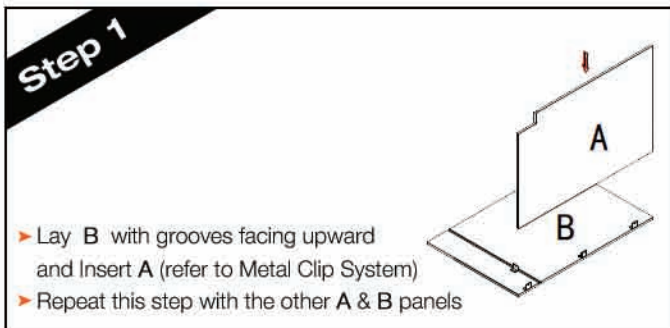
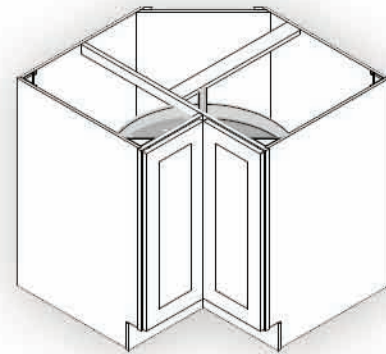


Lazy Susan

Step-by-Step Assembly Instructions

Code	Item	Qty
A	RIGHT/LEFT SIDE PANEL	2
B	RIGHT/LEFT BACK PANEL	2
D	BOTTOM PANEL	1
H	BACK PANEL	1
I	KNUCKLE HINGES	2
J	TOE KICK PLATE	2
K/L	FRONT FACE	2
M	FRONT DOORS	2
N	STRENGTHEN STILE	2
O	WALL FAME HINGES	2
P	TOP SPIN POLE	1
Q	BOTTOM SPIN POLE	1
R	SPIN BASKET	2
S	LOCKING PIN	2
T	POLE GASKET	2
U	PLATIC BRACKETS	4



Flip this page for steps 5-9 →

Lazy Susan

Step-by-Step Assembly Instructions



Code	Item	Qty
A	RIGHT/LEFT SIDE PANEL	2
B	RIGHT/LEFT BACK PANEL	2
D	BOTTOM PANEL	1
H	BACK PANEL	1
I	KNUCKLE HINGES	2
J	TOE KICK PLATE	2
K/L	FRONT FACE	2
M	FRONT DOORS	2
N	STRENGTHEN STILE	2
O	WALL FAME HINGES	2
P	TOP SPIN POLE	1
Q	BOTTOM SPIN POLE	1
R	SPIN BASKET	2
S	LOCKING PIN	2
T	POLE GASKET	2
U	PLATIC BRACKETS	4

Step 5a Lazy Susan spinner unit assembly

➤ Insert locking pin (S) into the bottom pole (Q) to set the height of the first basket (R). Slide pole gasket (T) onto locking pin as shown.

Step 5b Lazy Susan spinner unit assembly

➤ Slide spin basket (R) onto bottom spin pole (Q) and into T
 ➤ Repeat steps 1-2 to attach second spin tray
 ➤ Insert top spin pole (P) and snap into bottom pole (Q)

Step 6

➤ Insert spinner unit into cabinets and screw into pre-drilled holes in D

Step 7

➤ Position strength stile (N) between L and B and attach with screws
 ➤ Secure spinner to strengthen N

Step 8

➤ Insert frame hinge (O) into the pre-drilled hinge holes of the cabinet doors and fasten all the screws

Step 9

➤ Attach the assembled doors onto the frame using long screws into pre-drilled holes.

Flip this page for steps 1-4 ➔